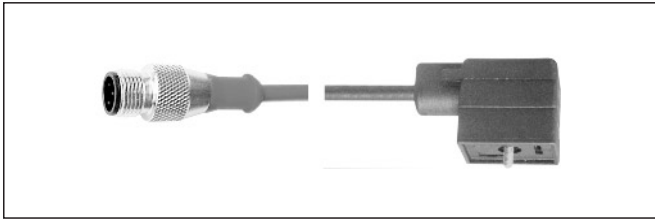


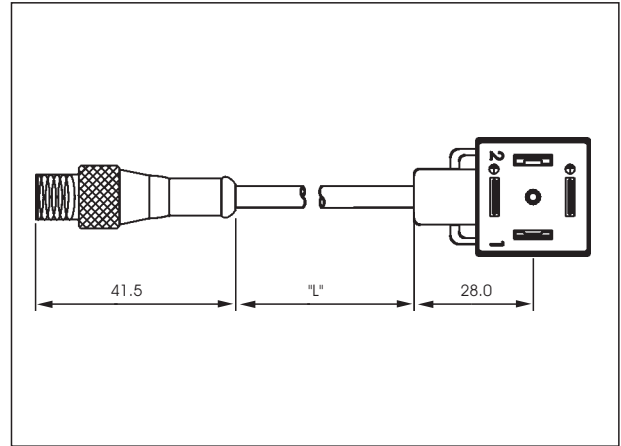
CABLE EXTENSIONS, IP68 (M12 TO VALVE CONNECTOR)

View



- Cable extensions
- Euro-style (m12)
- Screw locking with (auto) securing Safety nut
- Valve connector accorded to DIN43650
- Construction type A/ISO 4400
- With built-in LED and varistor for voltage protection connected protective earth

Dimensional data



Technical Data

Application Class: -20 °C to +80 °C
 Nominal Power: 5A
 Nominal Voltage: 24 VAC/DC
 Securing Safety Nut: Nickel plated brass
 Protection Class: IP67 NEMA 4 rated

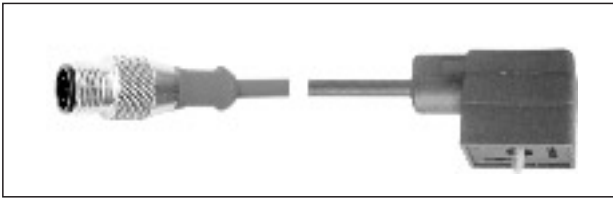
Catalog Number

Part-No	Poles	Face View female/male	Color Code	Conductors		Outer Jacket	
				Guage	Stranding	φ mm	Material
R-MS5/3TZY052 + V-FANAVY052	5		1 = - 2 = - 3 = blue 4 = brown 5 = green/yellow	0.50mm ²	16x φ 0.20	5.5	PUR/PVC
R-MS5/3TZV552 + V-FANAVV552			1 = brown 2 = blue ⊕ = green/yellow	0.50mm ²	16x φ 0.20	5.0	PVC irradiated

Standard length: 0.3m, 0.6m, 1.0m, 1.5m, 2.0m. other cable length or cable specifications on request.

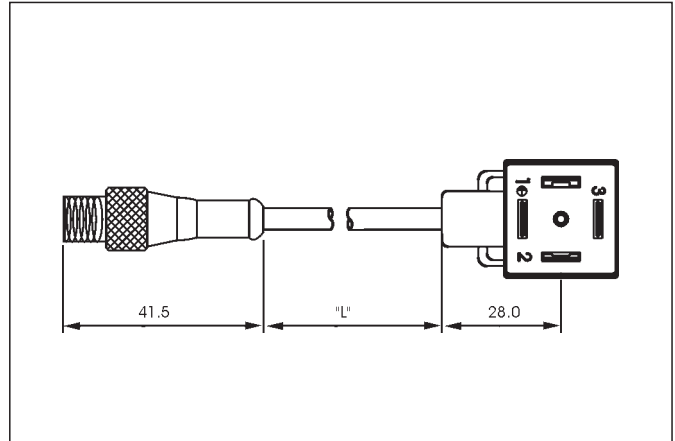
CABLE EXTENSIONS, IP68 (M12 TO VALVE CONNECTOR)

View



- Cable Extensions
- Euro-style (M12)
- Screw locking with (auto) securing safety nut/valve connector according to DIN 43650
- Construction type A/ISO4400
- With 2 colour LED for pressure switch with changeover contact

Dimensional data



Technical Data

Application Class:	-20 °C to +80 °C
Nominal Power:	5A
Nominal Voltage:	24 VAC/DC
Securing Safety Nut:	Nickel plated brass
Protection Class:	IP67 NEMA 4 rated

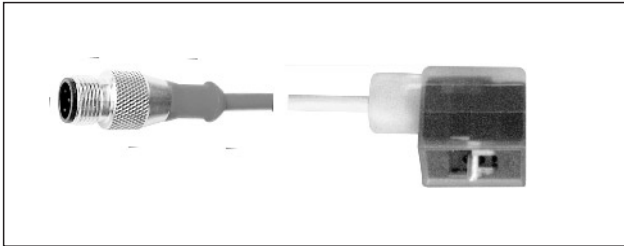
Catalog Number

Part-No	Poles	Face View female/male	Color Code	Conductors		Outer Jacket	
				Gauge	Stranding	φ mm	Material
R-MS5TZU822 + V-FAZATU522	5		1 = brown 2 = white 3 = blue 4 = black 5 = green/yellow	0.50mm ²	16x φ 0.20	6.0	PUR
			1 = brown 2 = white 3 = black LED = blue ⊕ = green/yellow				

Standard length: 0.3m, 0.6m, 1.0m, 1.5m, 2.0m. other cable length or cable specifications on request.

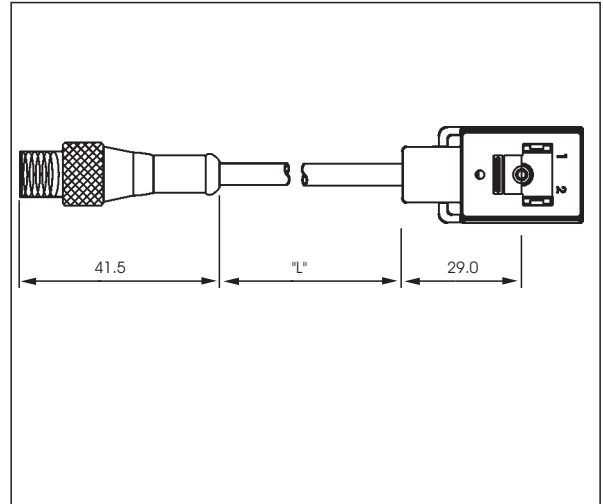
CABLE EXTENSIONS, IP68 (M12 TO VALVE CONNECTOR)

View



- Cable Extensions
- Euro-style (12)
- Screw locking with (auto) securing safety nut/valve connector according to DIN 43650
- Construction type B
- With built-in LED and varistor for voltage protection

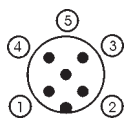
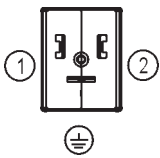
Dimensional data



Technical Data

Application Class: -20 °C to +80 °C
 Nominal Power: 5A
 Nominal Voltage: 24 VAC/DC
 Securing Safety Nut: Nickel plated brass
 Protection Class: IP67 NEMA 4 rated

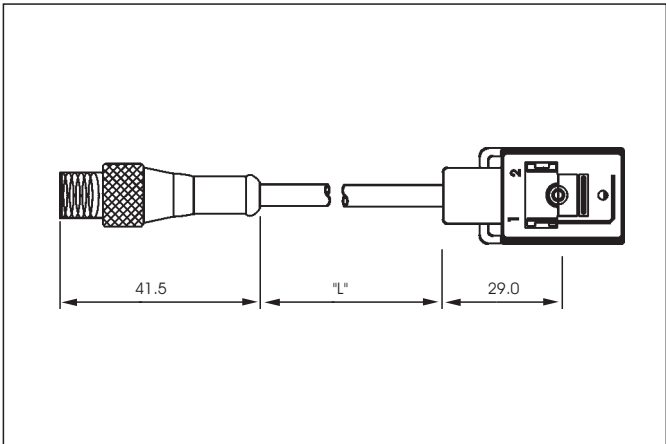
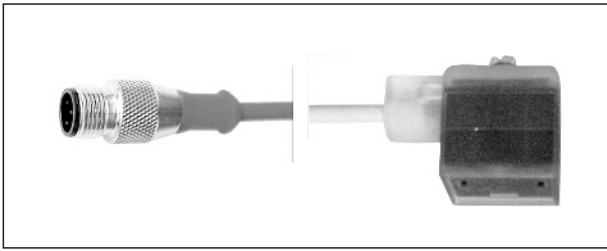
Catalog Number

Part-No	Poles	Face View female/male	Color Code	Conductors		Outer Jacket	
				Guage	Stranding	φ mm	Material
R-MS5/3TZY052 + V-FAZBVY052	5		1 = - 2 = - 3 = blue 4 = brown 5 = green/yellow	0.50mm ²	16x φ 0.20	5.5	PUR/PVC
R-MS5/3TZV782 + V-FAZBVV552			1 = brown 2 = blue ⊕ = green/yellow	0.34mm ²	42x φ 0.10	5.0	PVC irradiated

Standard length: 0.3m, 0.6m, 1.0m, 1.5m, 2.0m. other cable length or cable specifications on request.

CABLE EXTENSIONS, IP68 (M12 TO VALVE CONNECTOR)

View Dimensional data



- Euro-style (M12)
- Screw locking with (auto) securing safety nut/valve connector according to DIN 43650
- Construction type B
- Cable exit 180°
- With built-in LED and varistor for voltage protection

Technical Data

Application Class:	-20 °C to +80 °C
Nominal Power:	5A
Nominal Voltage:	24 VAC/DC
Securing Safety Nut:	Nickel plated brass
Protection Class:	IP67 NEMA 4 rated

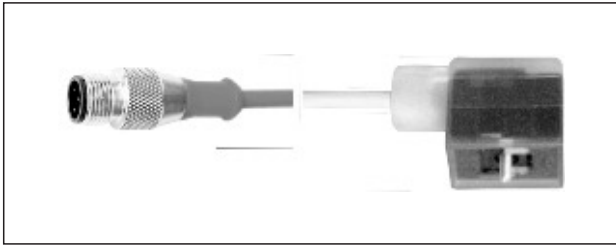
Catalog Number

Part-No	Poles	Face View female/male	Color Code	Conductors		Outer Jacket	
				Guage	Stranding	φ mm	Material
R-MS5/3TZY052 + V-FAEBVY052	5		1 = - 2 = - 3 = blue 4 = brown 5 = green/yellow	0.50mm ²	16x φ 0.20	5.5	PUR/PVC
R-MS5/3TZV552 + V-FAEBVV552			1 = brown 2 = blue ⊕ = green/yellow	0.50mm ²	16x φ 0.20	5.0	PVC irradiated

Standard length: 0.3m, 0.6m, 1.0m, 1.5m, 2.0m. other cable length or cable specifications on request.

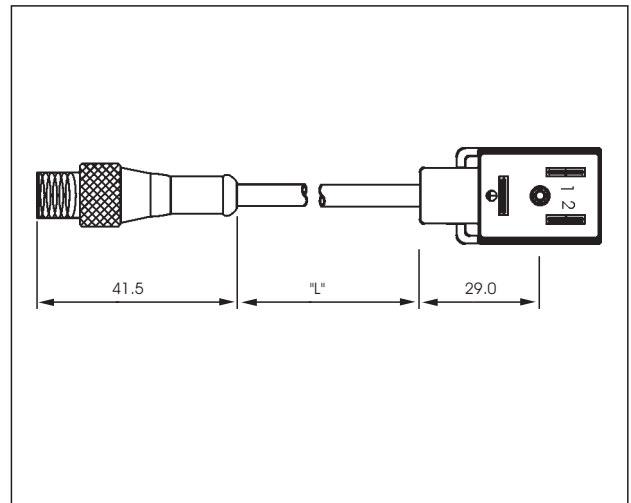
CABLE EXTENSIONS, IP68(M12 TO VALVE CONNECTOR)

View



- Cable Extensions
- Euro-style(M12)
- Screw locking with (auto) securing safety nut/valve connector according to DIN 43650
- Construction type B
- Industry standard construction
- With built-in LED and varistor for voltage protection

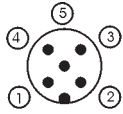
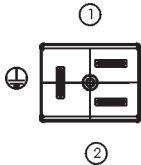
Dimensional data



Technical Data

Application Class:	-20 °C to +80 °C
Nominal Power:	5A
Nominal Voltage:	24 VAC/DC
Securing Safety Nut:	Nickel plated brass
Protection Class:	IP67 NEMA 4 rated

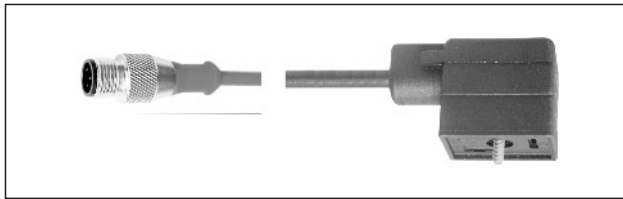
Catalog Number

Part-No	Poles	Face View female	Color Code	Conductors		Outer Jacket	
				Guage	Stranding	φ mm	Material
R-MS5/3TZY052 + V-FAZDVY052	5		1 = - 2 = - 3 = blue 4 = brown 5 = green/yellow	0.50mm ²	16x φ 0.20	5.5	PUR/PVC
R-MS5/3TZV552 + V-FAZDVV552			1 = brown 2 = blue ③ = green/yellow	0.50mm ²	16x φ 0.20	5.0	PVC irradiated

Standard length: 0.3m, 0.6m, 1.0m, 1.5m, 2.0m. other cable length or cable specifications on request.

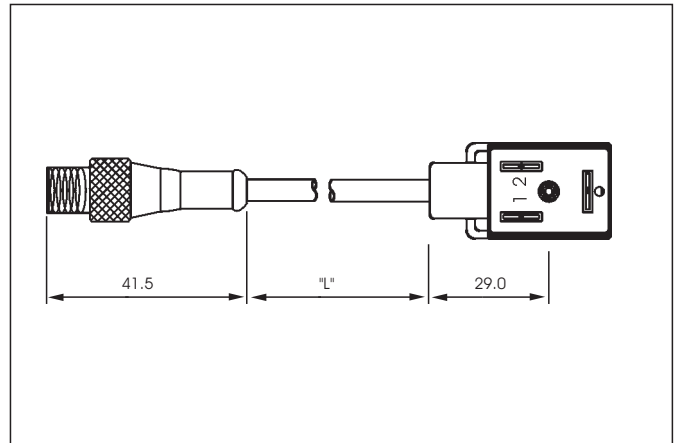
CABLE EXTENSIONS, IP68(M12 TO VALVE CONNECTOR)

View



- Cable Extensions
- Euro-style(12)
- Screw locking with (auto) securing safety nut/valve connector according to DIN 43650
- Construction type B
- Industry standard construction
- Cable exit 180°
- With built-in LED and varistor for voltage protection

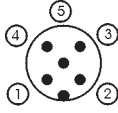
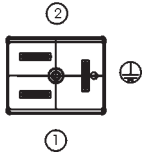
Dimensional data



Technical Data

Application Class:	-20 °C to +80 °C
Nominal Power:	5A
Nominal Voltage:	24 VAC/DC
Securing Safety Nut:	Nickel plated brass
Protection Class:	IP67 NEMA 4 rated

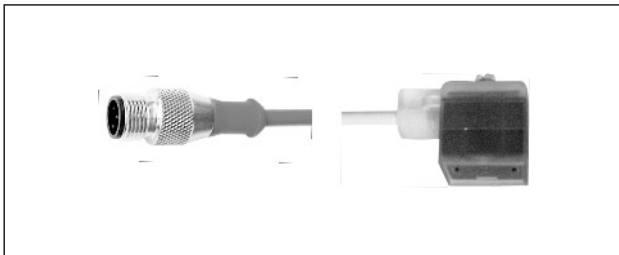
Catalog Number

Part-No	Poles	Face View female/male	Color Code	Conductors		Outer Jacket	
				Guage	Stranding	φ mm	Material
R-MS5/3TZY052+ V-FAEDVY052	5		1 = - 2 = - 3 = blue 4 = brown 5 = green/yellow	0.50mm ²	16x φ 0.20	5.5	PUR/PVC
R-MS5/3TZV552+ V-FAEDVV552			1 = brown 2 = blue ⊕ = green/yellow	0.50mm ²	16x φ 0.20	5.0	PVC

Standard length: 0.3m, 0.6m, 1.0m, 1.5m, 2.0m. other cable length or cable specifications on request.

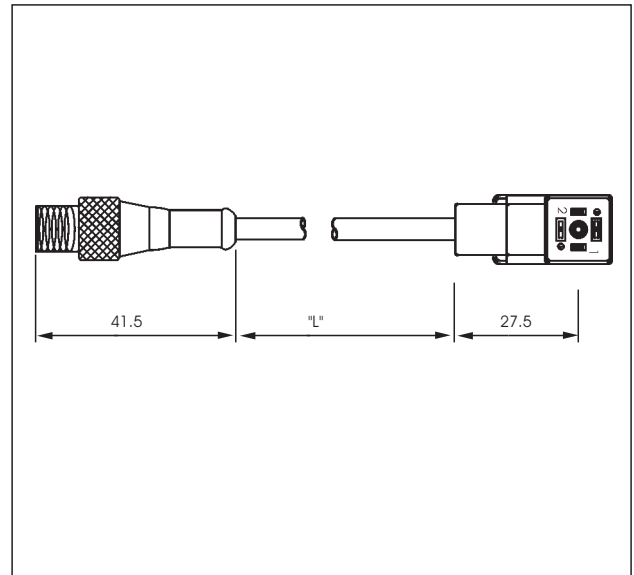
CABLE EXTENSIONS, IP68(M12 TO VALVE CONNECTOR)

View



- Cable Extensions
- Euro-style (M12)
- Screw locking with (auto) securing safety nut/valve connector according to DIN 43650
- Construction type C, 8.0mm
- With built-in LED and varistor for voltage protection
- Connected protective earth

Dimensional data



Technical Data

Application Class: -20 °C to +80 °C
 Nominal Power: 5A
 Nominal Voltage: 24 VAC/DC
 Securing Safety Nut: Nickel plated brass
 Protection Class: IP67 NEMA 4 rated

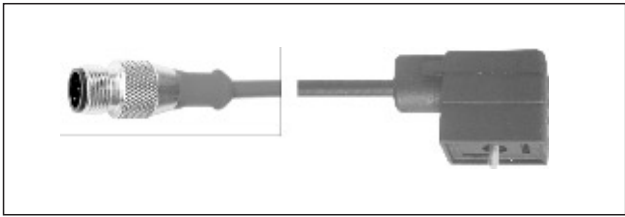
Catalog Number

Part-No	Poles	Face View female/male	Color Code	Conductors		Outer Jacket	
				Guage	Stranding	φ mm	Material
R-MS5/3TZV052 + V-FANCVY052	5		1 = - 2 = - 3 = blue 4 = brown 5 = green/yellow	0.50mm ²	16x φ 0.20	5.5	PUR/PVC
			1 = brown 2 = blue ⊕ = green/yellow				

Standard length: 0.3m, 0.6m, 1.0m, 1.5m, 2.0m. other cable length or cable specifications on request.

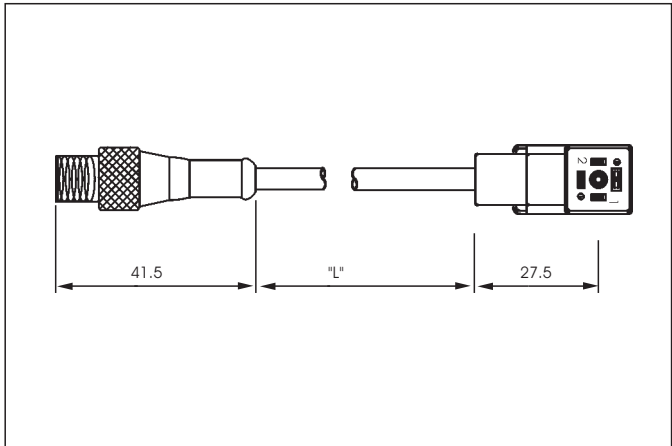
CABLE EXTENSIONS, IP68 (M12 TO VALVE CONNECTOR)

View



- Cable Extensions
- Euro-style (M12)
- Screw locking with (auto) securing safety nut/valve connector construction type
- Industry standard constriction (9.4mm) with built-in LED and varistor for voltage
- Protection connected protective earth

Dimensional data



Technical Data

Nominal Power:	3A
Nominal Voltage:	24 VAC/DC
Securing Safety Nut:	Nickel plated brass

Catalog Number

Part-No	Poles	Face View female/male	Color Code	Conductors		Outer Jacket	
				Guage	Stranding	φ mm	Material
R-MS5/3TZV052+ V-FANGVV552	5		1 = - 2 = - 3 = blue 4 = brown 5 = green/yellow	0.50mm ²	16x φ 0.20	5.5	PVC

Standard length: 0.3m, 0.6m, 1.0m, 1.5m, 2.0m. other cable length or cable specifications on request.